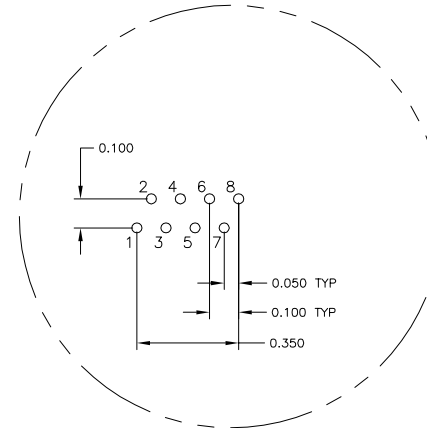
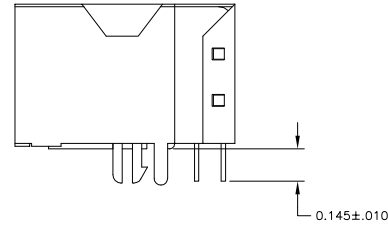
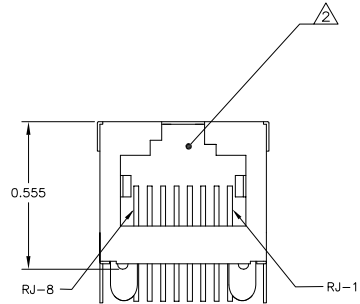
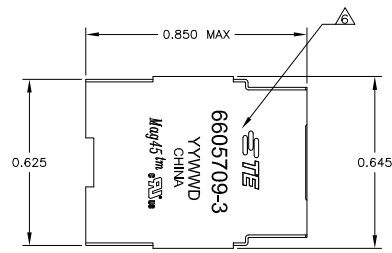


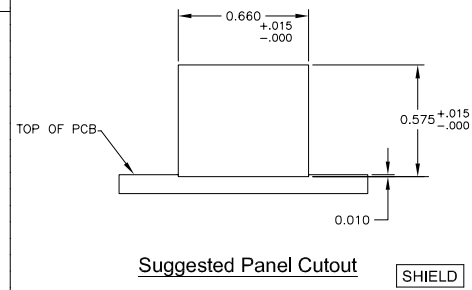
LOC	DATE	REVISIONS	DATE	BY	APP
AA	22				
C		PER ECO-09-000798	28MAY2009	VL	LR
D		ECO-11-015766	30MAY2011	EL	LR

**MECHANICAL:**



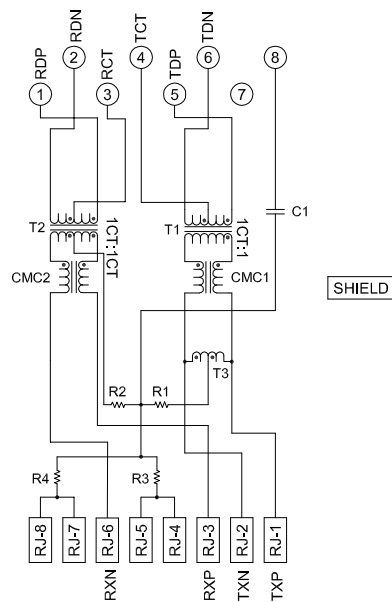
**Pin Designations**

- ⚠ **MATERIALS:**  
HOUSING - THERMOPLASTIC PET POLYESTER FLAMMABILITY RATING UL 94V-0. SHIELD - .010" THICK, C26800 BRASS PREPLATED WITH 30μINCH MIN SEMI-BRIGHT NICKEL. SOLDER TABS POST DIPPED WITH 100μINCH MIN SAC SOLDER. MOD JACK CONTACTS - 0.0157 X 0.018" PHOSPHOR BRONZE, 50μINCH MIN OVERALL NICKEL UNDERPLATE WITH SELECT 50μINCH MIN HARD GOLD FINISH PLATE. SOLDER TAILS WITH 100μINCH MIN MATTE TIN AND/OR SAC SOLDER DIP.
- ⚠ **RJ45 JACK CAVITY CONFORMS TO FCC RULES AND REGULATIONS PART 68, SUB PART F.**
- ⚠ **MAGNETICS**  
-IMPEDANCE: 100 OHMS  
-TURNS RATIO (CHIP-CABLE): TX = 1, RX = 1:1  
-OPEN CIRCUIT INDUCTANCE (OCL): 350μH MIN @100kHz, 0.1VRMS, 8mA DC BIAS FROM 0°C TO 70°C, TX AND RX  
-PERFORMANCE @ 25°C:  
  INSERTION LOSS (IL): 1.1dB MAX FROM 0.5MHz TO 100MHz  
  RETURN LOSS (RL): 18dB MIN FROM 0.5MHz TO 30MHz  
  18-20LOG(f/30)dB MIN FROM 30.1MHz TO 60MHz  
  12dB MIN FROM 60.1MHz TO 80MHz  
  CROSSTALK ATTENUATION: 35dB MIN FROM 0.5MHz TO 40MHz  
  33-20LOG(f/50)dB MIN FROM 40.1MHz TO 100MHz  
  COMMON MODE REJECTION RATIO (CMRR): 30dB MIN FROM 0.5MHz TO 100MHz  
  -ISOLATION VOLTAGE: 2250VDC (MAX) FOR 60 SECONDS WITH A RISE TIME OF 500V/SEC.
- 4 OPERATING TEMPERATURE: FROM 0°C TO +70°C
- ⚠ INDICATED CONNECTIONS ARE FOR NIC CONFIGURATION. THE MAGNETICS ARE ASYMMETRICAL, AND THEREFORE DO NOT SUPPORT AUTO-MDI/MDIX.
- ⚠ TYCO ELECTRONICS LOGO, PART NUMBER, DATE CODE, COUNTRY OF ORIGIN AND AGENCY APPROVAL MARKING IN APPROXIMATE LOCATION SHOWN.
- 7 THE PART IS RECOMMENDED FOR WAVE SOLDERING PROCESS, PREHEAT TEMPERATURE IS 120°C TO 160°C, 120 SECONDS TO 180 SECONDS, PEAK WAVE SOLDERING TEMPERATURE IS 260°C MAX, 10 SECONDS MAX.



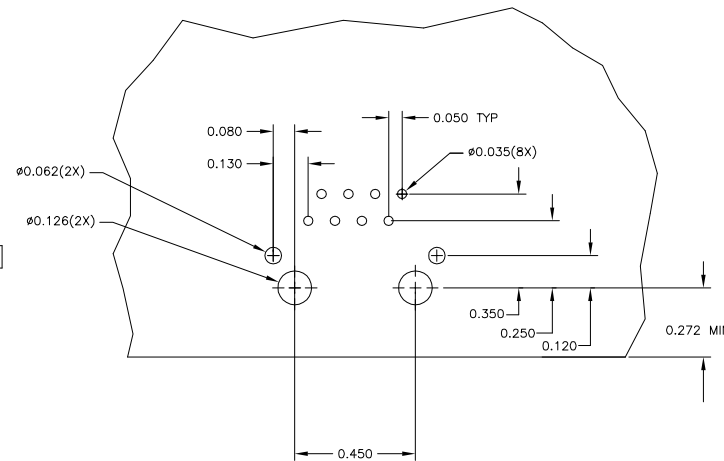
**Suggested Panel Cutout**

**714 SERIES MAGNETIC CIRCUIT**



**C1=1000 pF, 2KV CAPACITOR**

**R1-R4 = 75 OHMS, 1/16 W RESISTORS**



**Suggested PCB Layout**

6605709-3  
PART NUMBER

DIMENSIONS:		DRAWING SPECIFICATIONS:		REVISIONS:	
INCHES	0.001	NO. OF SHEETS	1	DATE	28MAY2009
DECIMALS	0.0005	NO. OF SHEETS	1	DATE	30MAY2011
FRACTIONS	1/1000	NO. OF SHEETS	1	DATE	
ANGLES	0.0001	NO. OF SHEETS	1	DATE	
MATERIAL		FINISH		WEIGHT	
TE Connectivity		TE Connectivity		A100779C=6605709	
CUSTOMER DRAWING		SCALE		SHEET 1 of 1 REV D	